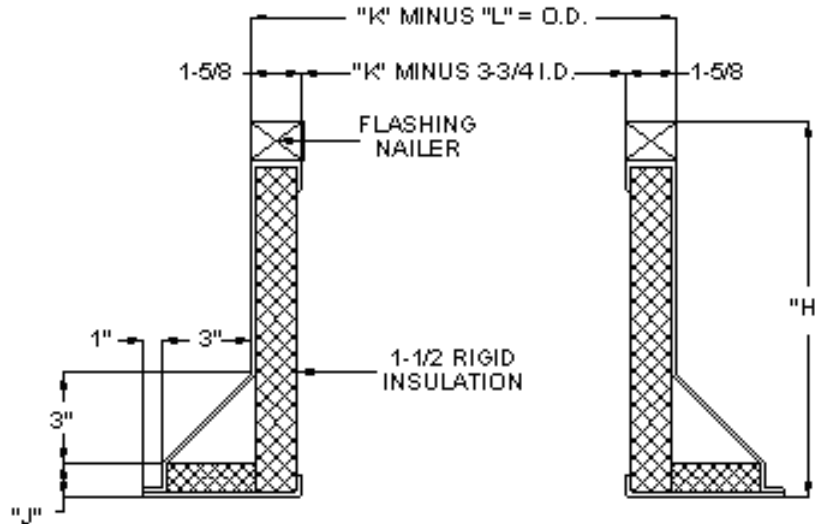


Curbs for insulated built-up roofs SERIES 2000 ROOF CURB

Simply print out this page, provide the information requested,
fax it to us at 860-848-0503, and we will get back to you promptly.



DIMENSIONAL DATA						
QTY	K*	L	J	H	MATERIAL	TAG

*Use K as outside dimension for square curbs, shorter dimension for rectangular curbs.

Delivery required: weeks _____
 Include freight? Yes _____ City _____ State _____

Special features required? _____ yes Describe _____

Name _____ Title _____
 Company _____
 Address _____
 City _____ State _____ Zip _____
 Phone _____ Fax _____ E-mail _____
 Comments _____